



C09-M-307/C09-MET-307

**3251**

**BOARD DIPLOMA EXAMINATION, (C-09)**

**APRIL/MAY—2015**

**DME—THIRD SEMESTER EXAMINATION**

**MACHINE DRAWING**

*Time : 3 hours ]*

*[ Total Marks : 60*

**PART—A**

5×4=20

**Instructions :** (1) Answer **all** questions.

(2) Each question carries **five** marks.

(3) All dimensions are in mm. Choose suitable scale.

**1.** Draw Hexagonal headed bolt with nut taking nominal diameter as 16 mm. 5

**2.** Draw the following forms of nuts with standard proportions :  $2\frac{1}{2}+2\frac{1}{2}=5$

(a) Flanged nut

(b) Wing nut

**3.** Draw the single line symbols for the following pipe fittings : 1×5=5

(a) 90° turned down elbow

(b) Tee

(c) Plug

(d) Cross

(e) Union

**/3251**

1

*[ Contd...*

[www.sbtetonline.com](http://www.sbtetonline.com)

4. Draw weld symbols for the following types of welds :  $1 \times 5 = 5$

- (a) Square butt weld
- (b) Single J-Butt
- (c) Concave Fillet weld
- (d) Spot weld
- (e) Convex Double V-butt weld

**PART—B**

40

- Instructions** : (1) Answer *any one* question.  
(2) Each question carries **forty** marks.  
(3) All dimensions are in mm and choose suitable scale.

5. Assemble the parts of footstep bearing shown in Fig. 1 (Page 3) and draw the following views :  $25 + 15 = 40$

- (a) Sectional front view
- (b) Top view

6. Assemble the parts of eccentric shown in Fig. 2 (Page 4) and draw the following views :  $25 + 15 = 40$

- (a) Half-sectional front view with top half in section
- (b) Right side view



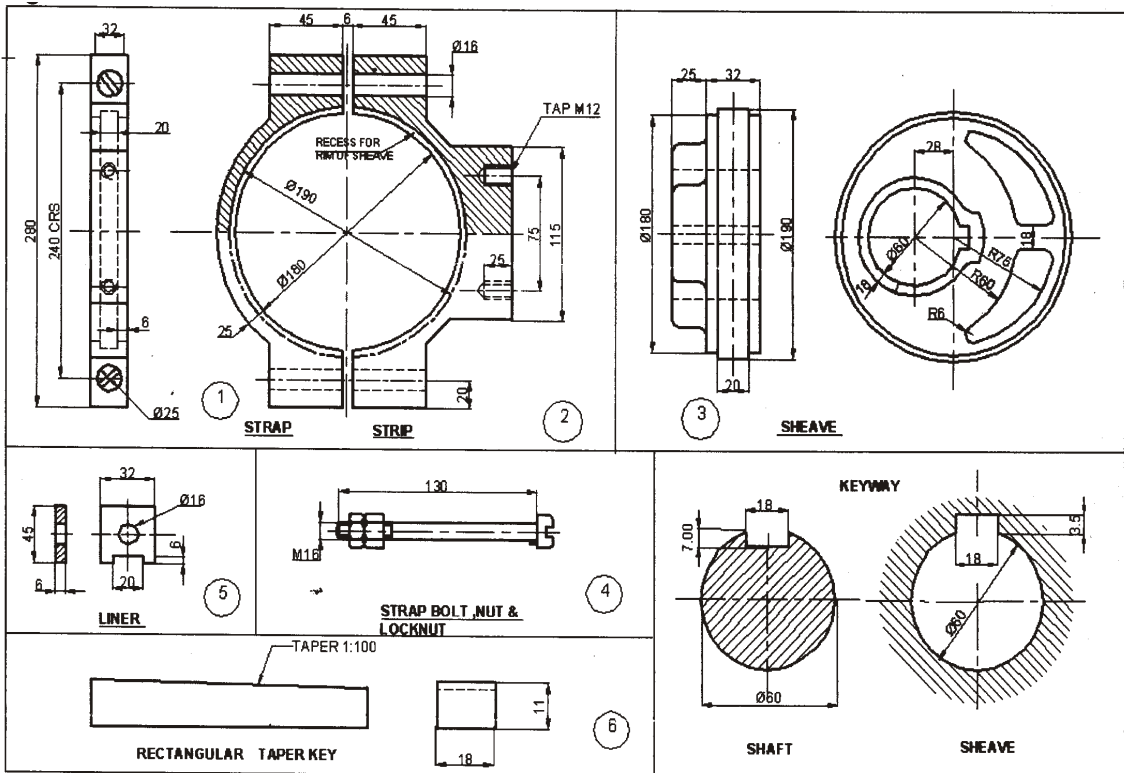


Fig. 2 : Eccentric Parts

★ ★ ★