



C09-M-307/C09-MET-307

**3251**

**BOARD DIPLOMA EXAMINATION, (C-09)**

**MARCH/APRIL—2016**

**DME—THIRD SEMESTER EXAMINATION**

**MACHINE DRAWING**

*Time : 3 hours ]*

*[ Total Marks : 60*

**PART—A**

5×4=20

**Instructions :** (1) Answer **all** questions.

(2) Each question carries **five** marks.

**1.** Draw the following thread profiles :

(a) ISO metric thread

(b) Square thread

**2.** Draw two views of single riveted lap joint.

**3.** Draw the single line symbols for the following pipe fittings :

(a) Coupling

(b) Plug

(c) Reducer

(d) Cross

(e) Check valve

**/3251**

1

*[ Contd...*

4. Draw the following weld symbols :

- (a) Square butt weld
- (b) Single V-butt weld with broad root face
- (c) Fillet weld
- (d) Seam weld
- (e) Concave fillet weld

**PART—B**

40

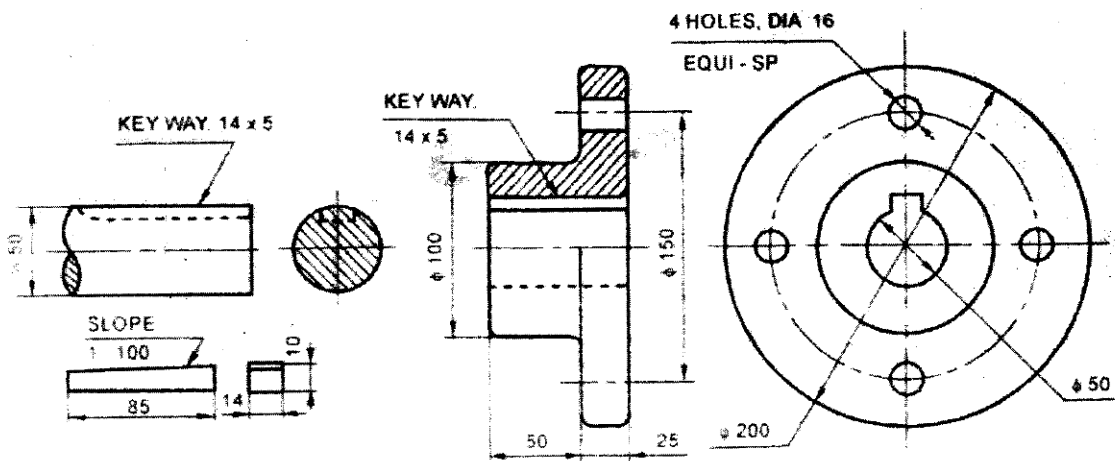
**Instructions :** (1) Answer *any one* question.

(2) Priority should be given to the accuracy, neatness and dimensioning.

5. Study the given part drawings of flange coupling. Assemble the parts and draw—

- (a) half sectional front view;
- (b) right side view.

25+15



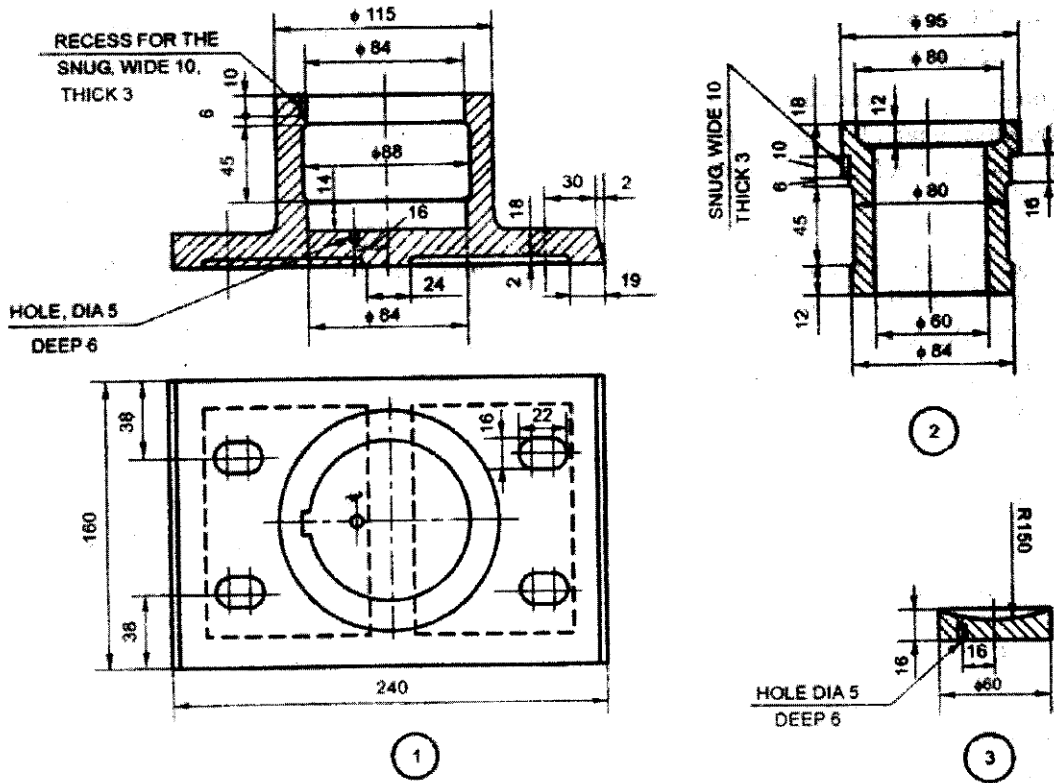
Flanged coupling

6. Study the parts of given foot-step bearing. Assemble the parts and draw—

(a) half sectional front view;

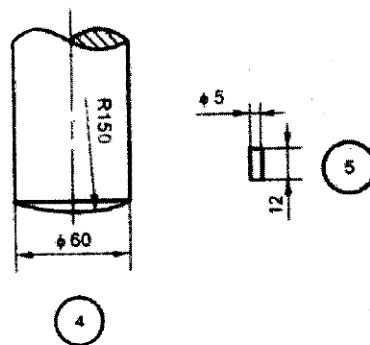
(b) top view.

25+15



Parts List

No.	Name	Material	Qty
1	Body	Cast Iron	1
2	Bush	Brass	1
3	Disc	P Bronze	1
4	Shaft	Mild Steel	1
5	Pin	Mild Steel	1



Foot-step bearing

\*\*\*