



C14-M/CHOT/RAC-107

4053

BOARD DIPLOMA EXAMINATION, (C-14)

OCT/NOV—2015

DME—FIRST YEAR EXAMINATION

ENGINEERING DRAWING

Time : 3 hours ]

[ Total Marks : 60

PART—A

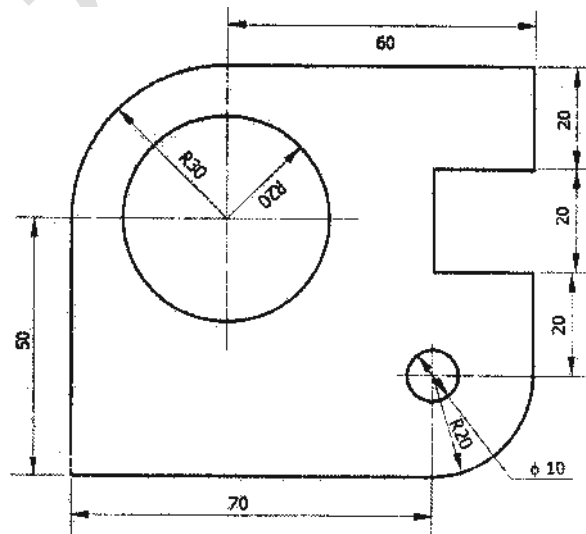
5×4=20

- Instructions :** (1) Answer **all** questions.  
(2) Each question carries **five** marks.  
(3) All dimensions are in mm.

1. Write the following in 10 mm size single-stroke vertical capital lettering :

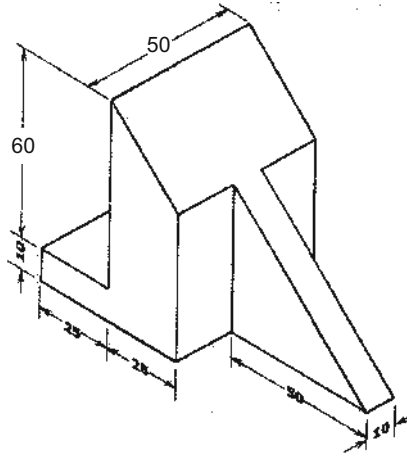
“WORK IS WORSHIP”

2. Redraw the following figure and dimension it as per SP : 46-1988 by using unidirectional system :



3. Draw a pentagon of side 4 cm by general method.

4. Draw the auxiliary view of the inclined surface of the object shown below :



**PART—B**

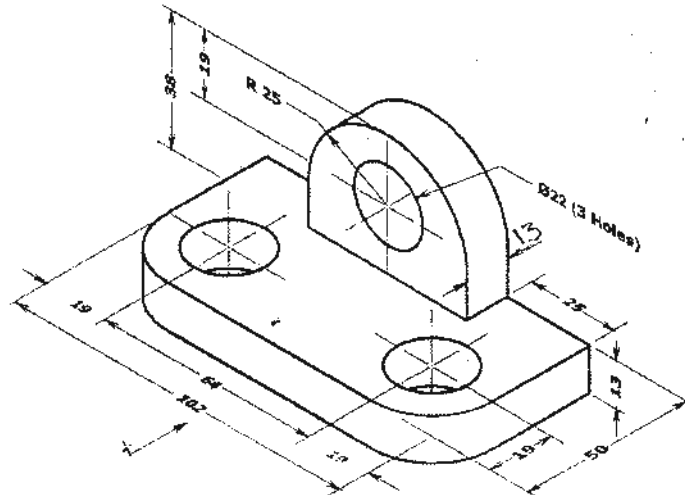
10×4=40

**Instructions :** (1) Answer any **four** questions.

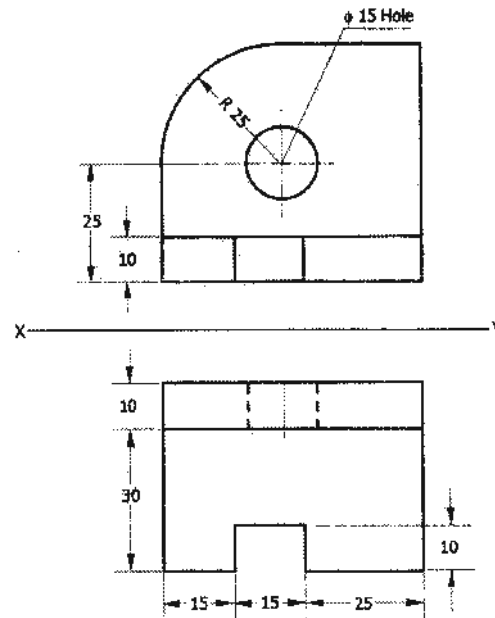
(2) Each question carries **ten** marks.

(3) All dimensions are in mm.

5. A circle of 50 mm diameter rolls on a straight line without slipping. Draw the path traced by a point on the rolling circle for one complete revolution.
6. A line *AB* of 70 mm long, has its end *A*, at 10 mm above HP and 15 mm in front of VP. It is inclined at 45° to VP and parallel to HP. Draw its projections.
7. Draw the orthographic views of the support block shown below :



8. Draw the isometric view for the object whose orthographic views are given below :



9. A hexagonal pyramid with side of base 25 mm and axis 60 mm long is resting with its base on HP and two edges of the base are parallel to VP. It is cut by a section plane parallel to HP and passing through the axis at a point 25 mm from the apex. Draw the projections of the remaining pyramid.
10. A cone of base diameter 50 mm and slant height 75 mm is standing vertically on HP. It is cut by a plane which is inclined at  $45^\circ$  to HP, perpendicular to VP and passing through the midpoint of the axis. Develop the lateral surface of the frustum.

\*\*\*