

6055
BOARD DIPLOMA EXAMINATION
MARCH/APRIL - 2019
 * **DME**
ENGINEERING DRAWING
FIRST YEAR EXAMINATION

Time: 3 Hours

Total Marks: 60

PART - A (5m x 4 = 20m)

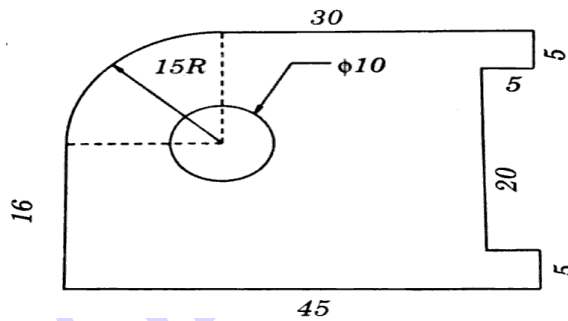
Note 1: Answer all questions and each question carries five marks

2: All dimensions are in mm

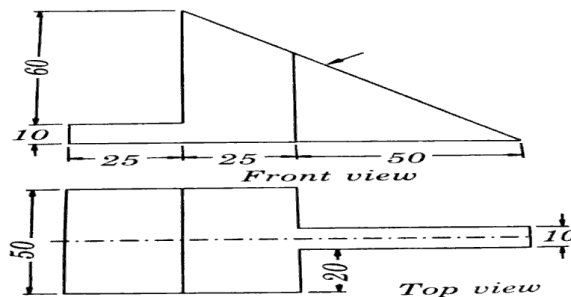
1. Print the following in single-stroke inclined lettering of 10mm size.,

“DEPARTMENT OF TECHNICAL EDUCATION “

2. Redraw the following figure and dimension it according to SP: 46-1988



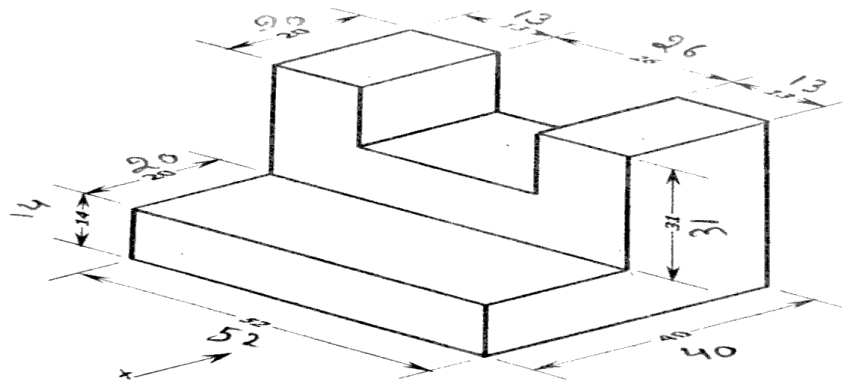
3. Draw a common external tangent to two circles of unequal radii 26 mm and 20 mm, the central distance of which is 75 mm.
4. Draw the auxiliary end view for the inclined surface of the object as shown in Fig



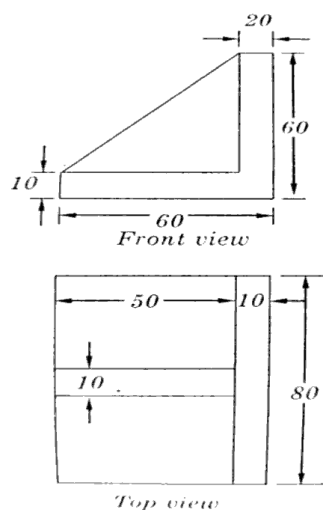
Note 1: Answer any four questions

2: Each question carries ten marks

5. Draw the cycloid for a circle of 50 mm diameter for one complete revolution
6. A circular Plane of diameter 60mm is touching the VP with a point on its circumference. The Plane is inclined at 45° to VP and perpendicular to HP. The centre of the Plane is 40mm above HP. draw its projections
7. A square prism of base side of 30mm and height 90mm is resting on HP on its base, with a base side inclined at 30° to VP. It is cut by a plane inclined at 45° to HP and perpendicular to VP and is bisecting the axis of the prism. Draw the front view, section top view and true shape of section
8. Draw the orthographic views of the wedge shown below.



9. Draw the Isometric view of the object the views of which are given in Fig



- * 10. A cone of base 50mm diameter and height 50mm rests with its base on HP. A section plane perpendicular to VP and inclined at 30 degrees to HP bisects the axis of the cone. Draw the development of the lateral surface of the truncated cone