



C16-EE/CHPP-107

6038

BOARD DIPLOMA EXAMINATION, (C-16)

MARCH/APRIL—2017

DEEE—FIRST YEAR EXAMINATION

ENGINEERING DRAWING

Time : 3 hours ]

[ Total Marks : 60

PART—A

5×4=20

**Instructions** : (1) Answer **all** questions.

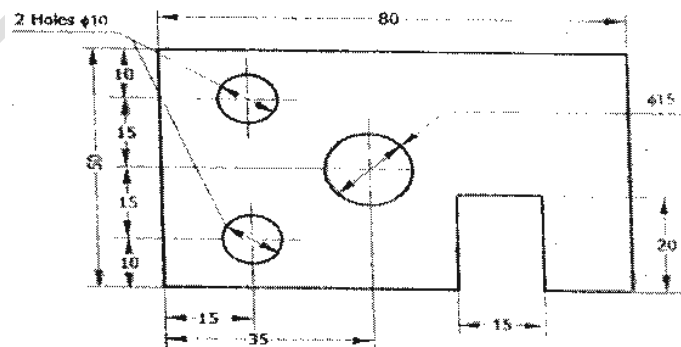
(2) Each question carries **five** marks.

(3) All dimensions are in mm.

1. Write the following in single-stroke inclined lowercase letters :

“STATE BOARD OF TECHNICAL EDUCATION”

2. Redraw the following figure to full scale by correcting the errors in dimensioning as per SP-46 : 1988 :



3. Construct regular pentagon of side 25 mm by any one method.

\*

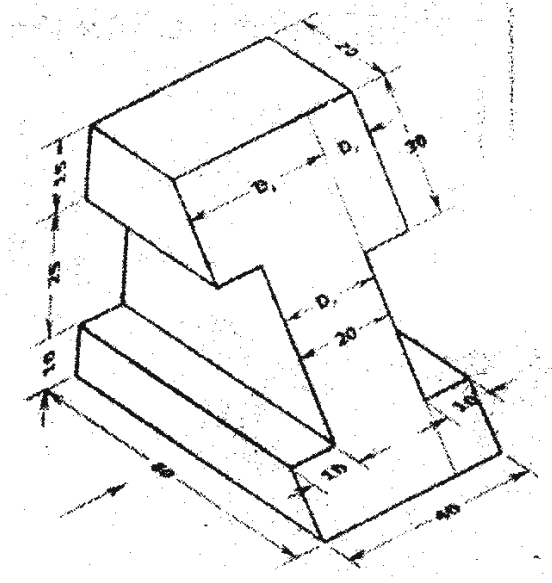
/6038

\*

1

[ Contd...

4. Draw the auxiliary view of the inclined surface for the view, given in the figure below :



**PART—B**

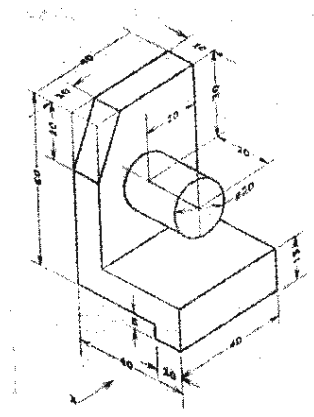
10×4=40

**Instructions :** (1) Answer *any four* questions.

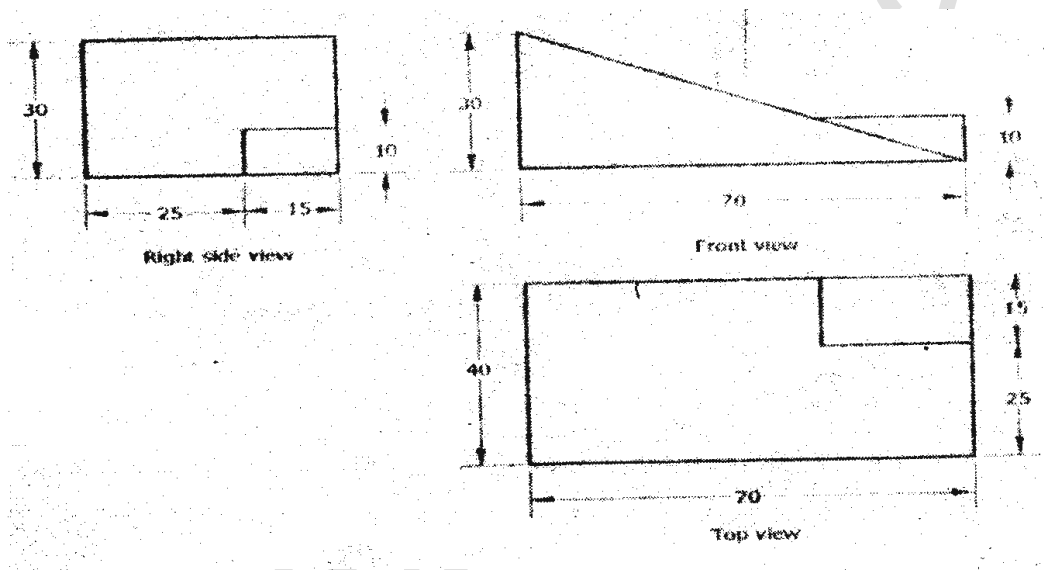
(2) Each question carries **ten** marks.

(3) All dimensions are in mm.

5. Draw an ellipse, whose major and minor axes are 80 mm and 60 mm respectively by oblong method.
6. A square prism 40 mm base side and height 60 mm is standing vertically on its square base 10 mm above HP and being one of its rectangular faces making an angle of 60° with VP. Draw its projection.
7. Draw the front view, side view and top view of the following figure :



8. A cone of diameter 60 mm and height 70 mm is resting on ground on its base it is cut by a section plane perpendicular to VP inclined at  $45^\circ$  to HP and cutting the axis at a point of 40 mm from the bottom. Draw the front view, sectional top view and true shape.
9. Draw the isometric views of the object whose orthographic views are given below :



10. A hexagonal pyramid of base side 25 mm and axis 65 mm long is resting on its base in HP and having one of its base sides parallel to VP. It is cut by a section plane which is perpendicular to VP and inclined at  $45^\circ$  to HP and passing through the midpoint of the axis. Draw the development of lateral surface of truncated pyramid.

\*\*\*