



C14-A/AEI/BM/CHST/C/CM/EC/EE/CH/  
CHPP/CHPC/CHOT/PET/M/RAC/MET/  
MNG/IT/TT/PCT-107

4005

BOARD DIPLOMA EXAMINATION, (C-14)

JUNE—2019

FIRST YEAR EXAMINATION

ENGINEERING DRAWING

Time : 3 Hours]

[Total Marks : 60

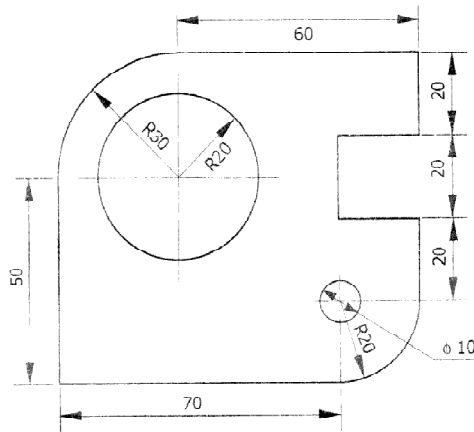
PART—A

5×4=20

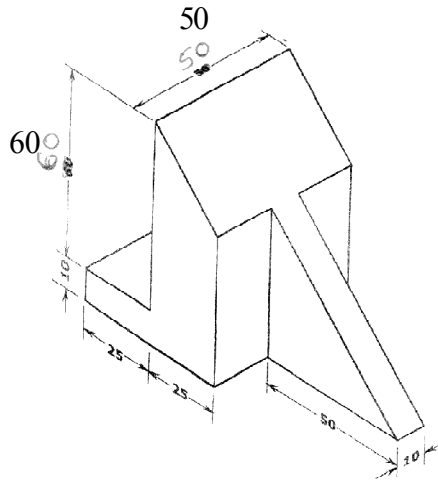
*Instruction* : (1) Answer **all** questions.

(2) Each question carries **Three** marks.

1. Print the following line in 10mm size vertical lettering as per SP:46-1988 :  
“ALL THE BEST FOR YOUR EXAMINATION”
2. The component and its dimensions are shown in the fig. below. Redraw it to a full scale adopting the recommendations of SP:46-1988



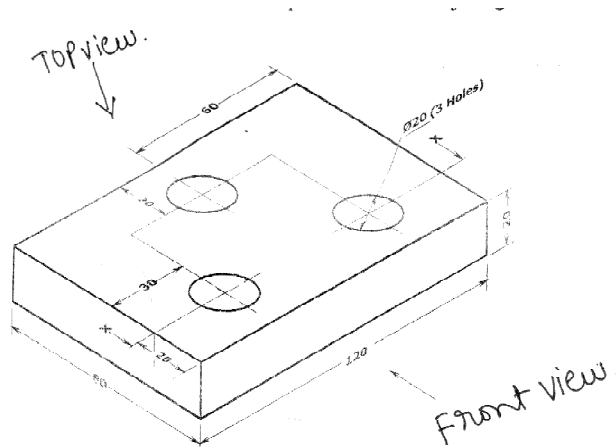
3. Divide a line 90mm long into 10 equal parts.
4. Draw the Auxiliary view of the inclined surface of the object given below



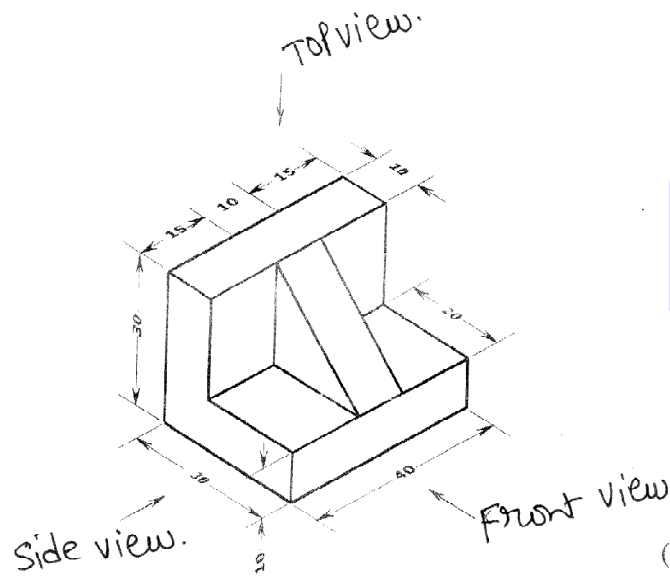
### PART—B

10×4=40

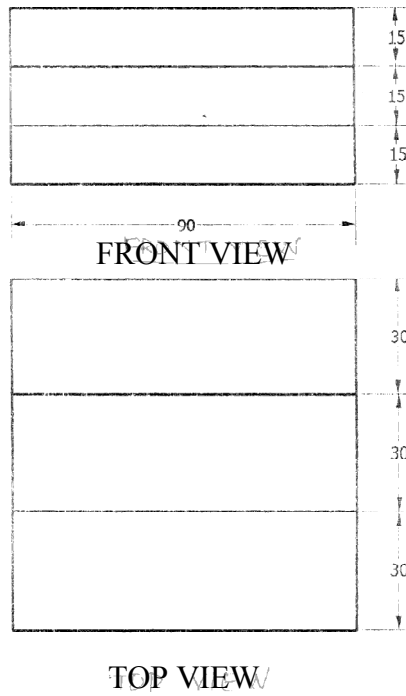
- Instruction :**
- (1) Answer any **Four** questions.
  - (2) Each question carries **Ten** marks.
  - (3) All dimensions are in mm.
5. Construct an ellipse with major and minor axes are 90mm and 60mm by concentric circles method.
  6. A cylinder of base 30mm diameter and axis 50mm long is resting with its base on HP and axis 25mm is in front of VP. Draw the projections.
  7. Draw the sectional front view and top view for the object given below



8. Draw orthographic views of front view and top view of the given isometric figure below :



9. Draw isometric view of the steps from the Orthographic projections given below :



10. Develop the lateral surface of a Pentagonal pyramid of base side 25mm and height 60mm.

\*\*\*

302 302 302 302